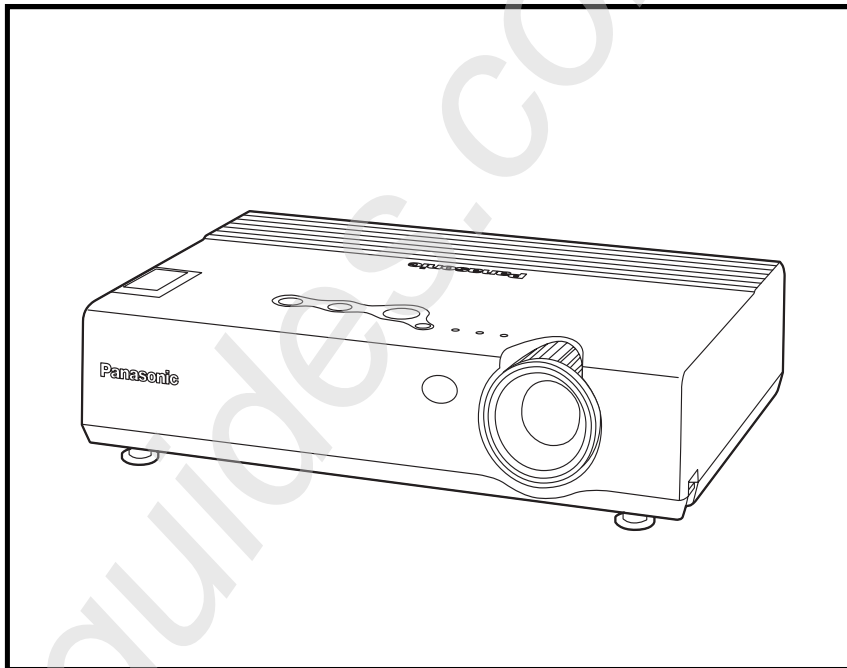


S P E C F I L E

PRODUCT NO.: PT-LB10NT

PRODUCT NAME: Micro-Portable Wireless LCD Projector



MAJOR FEATURES

- Easy wireless projection
 - Simple settings
 - User-friendly interface
 - Handy "Live" mode
 - "Multi Live" mode
- High performance, compact body
 - Bright 2000 lumens
 - Notebook-size compact body
 - Ultra-lightweight: 2.2 kg (4.9 lbs)
 - Short-throw zoom lens
- Quick operation
 - 5-second speed start
 - One-touch auto setup with digital keystone correction
 - Direct power off
- Sophisticated functions
 - Projector AI
 - Index window
 - Secure, anti-theft features
 - Auto power off

Specifications

Power supply		100–240 V AC, 50/60 Hz
Power consumption		220 W (6 W in standby mode with fan stopped)
Optical system		Dichroic mirror separation/prism synthesis system
LCD panel	Panel size	0.7" diagonal with micro lens array (4:3 aspect ratio)
	Display method	Transparent LCD panel (x 3, R/G/B)
	Drive method	Active matrix
	Pixels	786,432 (1,024 x 768) x 3, total of 2,359,296 pixels
	Pixel configuration	Stripe
Lens		Manual zoom/focus lens (1:1–1:1.2), F 1.7–1.9, f 21.5–25.8 mm
Lamp		155 W UHM™ lamp
Screen size		838–7,620 mm (33–300 inches) diagonally, 4:3 aspect ratio
Colors		Full color (16,777,216 colors)
Brightness		2000 lumens
Center-to-corner uniformity ratio		90%
Contrast ratio		500:1*1 (full on/full off)
Resolution	RGB	1,024 x 768 pixels (1,600 x 1,200 pixels with compression)
	Video	760 TV lines (horizontal resolution)
Scanning frequency	RGB	Horizontal: 15–91 kHz, Vertical: 50–85 Hz
	YPbPr	480i (525i): fh 15.75 kHz; fv 60 Hz 576i (625i): fh 15.63 kHz; fv 50 Hz 480p (525p): fh 31.5 kHz; fv 60 Hz 576p (625p): fh 31.25 kHz; fv 50 Hz 720p (750p): fh 45 kHz; fv 60 Hz 1080i (1125i): fh 33.75 kHz; fv 60 Hz 1080i (1125i): fh 28.125 kHz; fv 50 Hz
	S-Video/Video	NTSC, NTSC4.43, PAL-M, PAL60: fh 15.75 kHz; fv 60 Hz PAL, SECAM, PAL-N: fh 15.63 kHz; fv 50 Hz
Optical axis shift		6:1 (fixed)
Keystone correction range		Vertical: approx. ±30°
On-screen menu		8 languages: English, French, German, Spanish, Italian, Chinese, Korean, Russian
Installation		Ceiling/desk, front/rear (menu selection)
Built-in speakers	Size	4 x 3 cm x 1, oval
	Output power	1.0 W (monaural)
Terminals	RGB IN	D-sub HD 15-pin x 1
	RGB signal	G: 0.7 Vp-p (1.0 Vp-p for Sync on G), 75Ω R, B: 0.7 Vp-p, 75Ω HD, VD, SYNC: TTL, high impedance (positive/negative polarity)
	YPbPr signal	Y: 1.0 Vp-p (including sync signal), 75Ω Pb, Pr: 0.7 Vp-p, 75Ω
	RGB OUT	D-sub HD 15-pin x 1
	RGB signal	G: 0.7 Vp-p (1.0 Vp-p for Sync on G), 75Ω R, B: 0.7 Vp-p, 75Ω HD, VD, SYNC: TTL, high impedance (positive/negative polarity)
	YPbPr signal	Y: 1.0 Vp-p (including sync signal), 75Ω Pb, Pr: 0.7 Vp-p, 75Ω
	VIDEO IN	RCA pin x 1, 1.0 Vp-p, 75Ω
	S-VIDEO IN	Mini DIN 4-pin x 1, Y: 1.0 Vp-p, C: 0.286 Vp-p, 75Ω
	AUDIO IN	RCA (L, R) x 1, 0.5 Vrms, for RGB/VIDEO/S-VIDEO
	SERIAL	Mini DIN 8-pin x 1 (RS-232C)

SPEC FILE**Micro-Portable Wireless LCD Projector****PT-LB10NT**

Wireless card slot		x1, For CompactFlash™ type wireless card
Power cord length		2 m
Cabinet material		ABS/PC
Dimensions (W x H x D)		297 x 65 x 210 mm (11-23/32" x 2-9/16" x 8-9/32")*2
Weight		2.2 kg (4.9 lbs.)
Operating environment	Temperature	0°–40°C (32°–104°F)
	Humidity	20%–80% (no condensation)
Remote control unit	Power supply	3 V DC (button battery x 1)
	Operation range*3	Approx. 7 m when operated from directly in front of the signal receptor
	Dimensions (W x H x D)	40 x 86 x 6.5 mm (1-9/16" x 3-3/8" x 1/4")
	Weight	17.5 g (0.62 oz.) (including a battery)
Wireless card	Standard	IEEE802.11b
	Modulation	Direct sequence spread spectrum (DS-SS) system
	Transmission system	CCK (11 Mbps/5.5 Mbps), DQPSK (2 Mbps), DBPSK (1Mbps)
	Transmission speed	11 Mbps, 5.5 Mbps, 2 Mbps, 1 Mbps
	Operating range*3	Outdoors: 50 m (11 Mbps), 80 m (5.5 Mbps), 120 m (2 Mbps/1 Mbps)
		Indoors: 30 m (11 Mbps), 50 m (5.5 Mbps), 80 m (2 Mbps/1 Mbps)
	Frequency range	2,412 MHz–2,484 MHz
	Channel	PT-LB10E: 1–13 ch PT-LB10U: 1–11 ch

Supplied accessories	Power cord
	Wireless remote control
	Button battery for remote control
	VGA cable
	Carrying bag

Optional accessories	Replacement lamp unit: ET-LAB10
	Ceiling mount bracket: ET-PKC80
	Full-function wireless remote control: ET-RM300
	Serial adapter (DIN 8-pin/D-sub 9-pin): ET-ADSER
	IEEE802.11b compliant wireless LAN card for PC: ET-CDWL3

*1: In AI mode.

*2: Height including protruding parts and legs: 72 mm (2-27/32").

*3: Operation range differs depending on environments.

Weights and dimensions shown are approximate.

Specifications subject to change without notice.

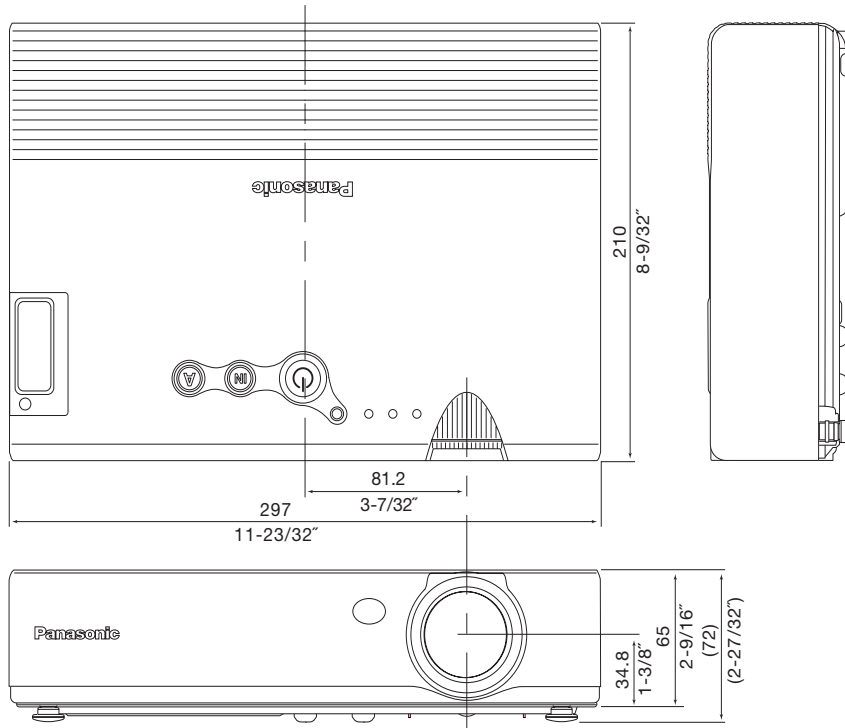
To use wireless functions, a PC is required that meets the conditions given below:
 OS: Windows XP/2000/Me/98SE (Windows XP or 2000 recommended)
 CPU: Pentium III or faster, or other compatible processor (Celeron 633 MHz or higher recommended; however 800 MHz or higher recommended when using the "live" mode).
 Memory: 64 MB or more (128 MB or more for Windows XP/2000)

SPEC FILE

Micro-Portable Wireless LCD Projector

PT-LB10NT

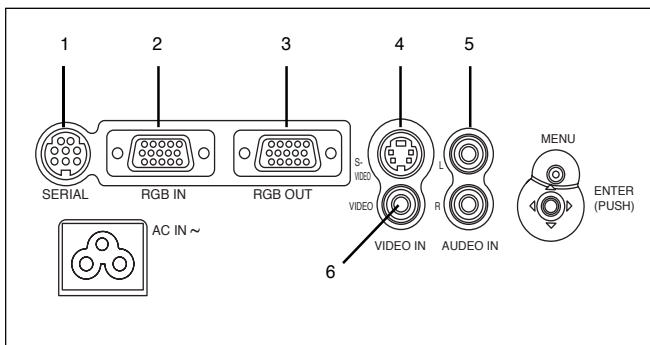
Dimensions



unit: mm (inch)

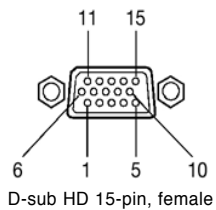
Note: This illustration is not drawn to scale.

Terminals



- 1 Serial
- 2 RGB input
- 3 RGB output
- 4 S-Video input
- 5 Audio input
- 6 Video input

RGB IN connector pin assignment



no.	signal	no.	signal	no.	signal
1	R/PR	6	GND	11	NC
2	G/Y	7	GND	12	SDA*
3	B/PB	8	GND	13	HD/SYNC
4	GND	9	NC	14	VD
5	GND	10	GND	15	SCL*

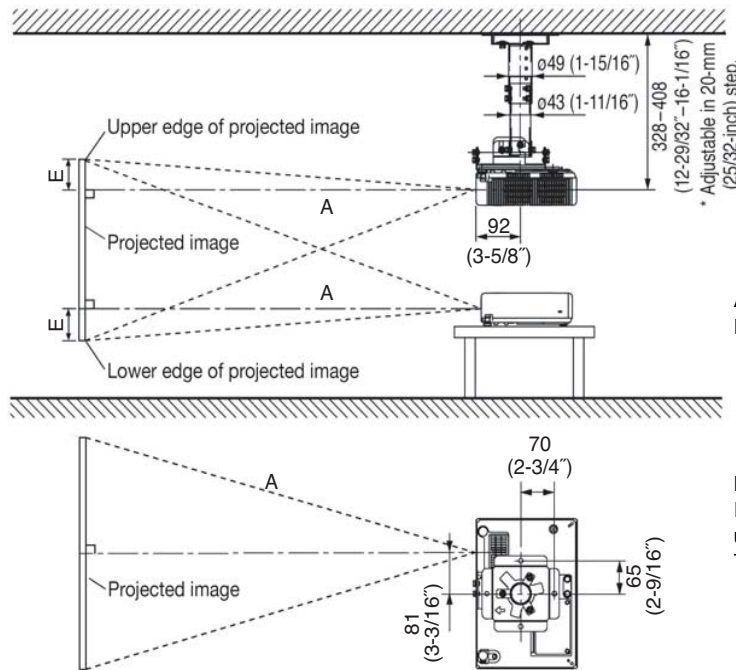
* Effective when connected to a PC having proper functions.

SPEC FILE

Micro-Portable Wireless LCD Projector

PT-LB10NT

Standard setting-up positions



unit: mm (inch)

A: Distance to screen
E: Height from the edge of screen to center of lens

NOTE:
Illustrations show the projector installed using optional ceiling bracket.
This illustration is not drawn to scale.

Diagonal image size (4:3 aspect ratio)	Distance to screen		Height from the edge of screen to center of lens
	min.	max.	
33" / 0.84 m / 2.7'	-	1.1 m / 3.6'	8 cm / 3.1"
40" / 1.02 m / 3.3'	1.2 m / 3.9'	1.4 m / 4.6'	9 cm / 3.5"
50" / 1.27 m / 4.2'	1.5 m / 4.9'	1.7 m / 5.6'	11 cm / 4.3"
60" / 1.52 m / 4.9'	1.8 m / 5.9'	2.1 m / 6.9'	14 cm / 5.5"
70" / 1.78 m / 5.8'	2.1 m / 6.9'	2.4 m / 7.9'	16 cm / 6.3"
80" / 2.03 m / 6.7'	2.4 m / 7.9'	2.8 m / 9.2'	18 cm / 7.1"
90" / 2.29 m / 7.5'	2.7 m / 8.9'	3.2 m / 10.5'	20 cm / 7.9"
100" / 2.54 m / 8.3'	3.0 m / 9.8'	3.5 m / 11.5'	22 cm / 8.7"
120" / 3.05 m / 10.0'	3.6 m / 12.5'	4.2 m / 13.8'	26 cm / 10.2"
150" / 3.81 m / 12.5'	4.5 m / 14.8'	5.3 m / 17.4'	33 cm / 13.0"
200" / 5.08 m / 16.7'	6.0 m / 19.7'	7.1 m / 23.3'	44 cm / 17.3"
250" / 6.35 m / 20.8'	7.5 m / 24.6'	8.9 m / 29.2'	55 cm / 21.7"
300" / 7.62 m / 25.0'	9.0 m / 29.5'	10.7 m / 35.1'	66 cm / 26.0"

NOTE:
Values shown are approximate.

Calculation of the projection distance

For a screen size different from the above, use the equation below to calculate the projection distance.

Aspect ratio 4 : 3

minimum

$$L (m) = (\text{diagonal screen size in inches}) \times 0.0298 - 0.037$$

maximum

$$L (m) = (\text{diagonal screen size in inches}) \times 0.0361 - 0.037$$

Aspect ratio 16 : 9

minimum

$$L (m) = (\text{diagonal screen size in inches}) \times 0.0325 - 0.037$$

maximum

$$L (m) = (\text{diagonal screen size in inches}) \times 0.0393 - 0.037$$

Computer data compatibility

This projector accepts up to 91 kHz horizontal scanning frequency and 162 MHz dot clock.

NOTE: The projector is not fully compatible with RGB signals of which dot clock is higher than 100 MHz.
The display resolution of this projector is 1024 x 768 pixels. If the display resolution indicated in the above data does not match this resolution, the input signal will be converted to 1024 x 768 pixels.