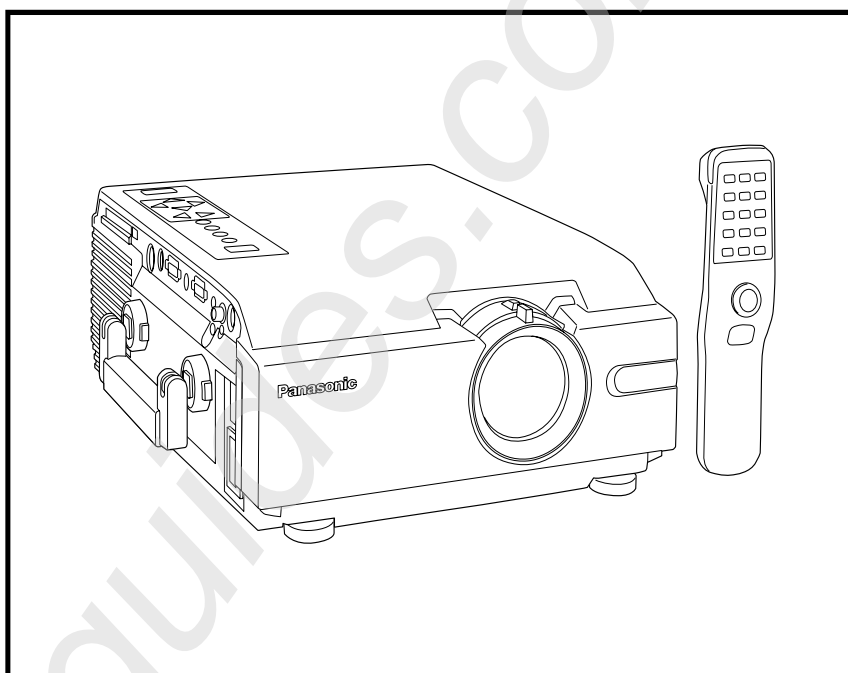


S P E C F I L E

PRODUCT NO.: PT-L759V
PRODUCT NAME: Portable LCD Projector



MAJOR FEATURES

- 2400 ANSI Lumens High Brightness
- XGA (1024 x 768), Maximum UXGA (1600 x 1200) Resolution
- One-touch auto setup and digital keystone correction
- Wireless remote with mouse control, arrow key control and laser pointer

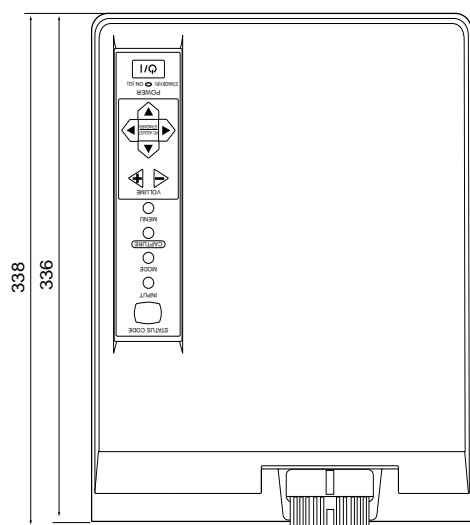
SPEC FILE**PT-L759V****Portable LCD Projector****Specifications (continued)****Remote Control Unit**

Power supply:	3 V DC (AA-size battery x 2)
Operation range:	Approx. 7 m when operated from directly in front of the signal receptor)
Weight:	Approx. 108 g (including batteries)
Dimensions (W x H x D):	46 x 34 x 191 mm

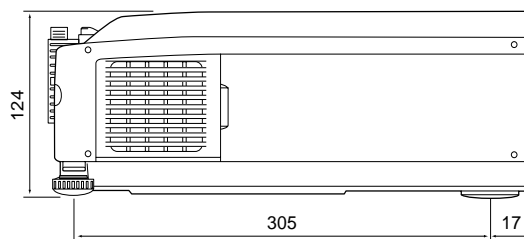
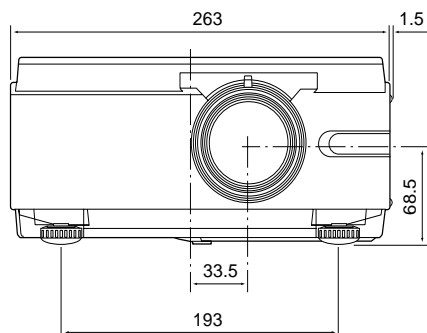
Accessories

Supplied accessories:	Remote control unit, Batteries for remote control unit, Power cord, VGA cable, Macintosh adapter, Video cable, Video audio cable, JPEG Viewer for Windows95/98 (floppy disk), PS/2 mouse cable, Macintosh mouse cable, Carrying handle	
Optional accessories:	Replacement lamp unit:	ET-LA059X
	Wide conversion lens:	ET-LEC059
	Serial mouse cable:	ET-MC02S
	Component video cable:	ET-ADBNC
	Ceiling mount bracket:	ET-PK057

Weights and dimensions shown are approximate. Specifications subject to change without notice.
Windows is a registered trademark of Microsoft Corporation.

Dimensions

unit: mm



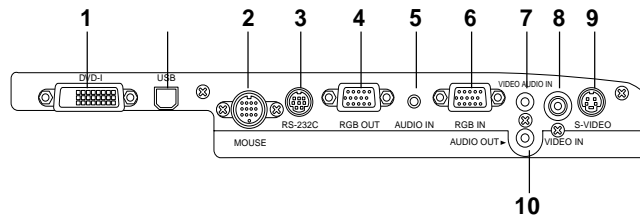
Note: This illustration is not drawn to scale.

SPEC FILE

Portable LCD Projector

PT-L759V

Terminals



- | | | | |
|---|---|----|--|
| 1 | PC card slot | 6 | RGB input connector (D-sub 15-pin) |
| 2 | Mouse connector for RGB1 (round 13-pin) | 7 | Audio input jack for Video/S-Video (stereo mini) |
| 3 | RS-232C connector | 8 | Video input connector (RCA) |
| 4 | RGB output connector (D-sub 15-pin) | 9 | S-Video input connector (Mini DIN 4-pin) |
| 5 | Audio input jack for RGB (stereo mini) | 10 | Audio output jack (stereo mini) |

RGB IN/RGB OUT connector pin assignment

no.	signal	no.	signal	no.	signal
1	R	6	GND (R)	11	NC
2	G	7	GND (G)	12	DCC data
3	B	8	GND (B)	13	HD/SYNC
4	NC	9	NC	14	VD
5	SYNC (through)	10	GND	15	DCC clock

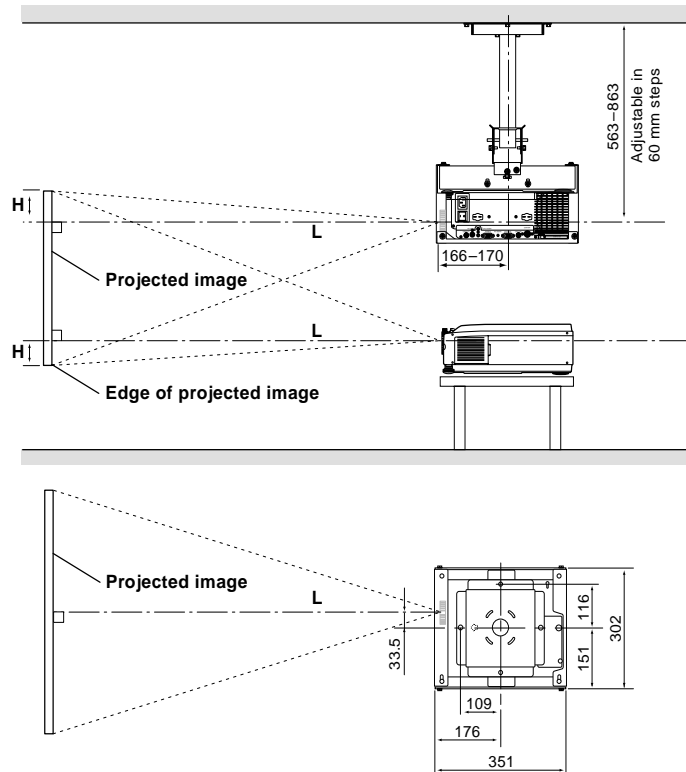
RGB signal compatibility (Tentative)

Display mode	Resolution (dots)	Horizontal frequency (kHz)	Vertical frequency (Hz)	Display mode	Resolution (dots)	Horizontal frequency (kHz)	Vertical frequency (Hz)
VGA	640 x 400	31.5	70.1	SXGA	1152 x 864	54.1	60.1
VESA	640 x 400	37.9	85.1		1152 x 864	63.9	70.0
VGA480	640 x 480	31.5	59.9		1152 x 864	67.5	75.0
VESA	640 x 480	37.9	72.8		1152 x 864	77.1	85.0
VESA	640 x 480	37.5	75.0		1280 x 960	60.0	60.0
VESA	640 x 480	43.3	85.0		1280 x 960	75.0	75.0
SVGA	800 x 600	32.1	51.0		1280 x 1024	64.0	60.0
	800 x 600	35.2	56.3		1280 x 1024	80.0	75.0
	800 x 600	37.9	60.3	Mac 13"	640 x 480	35.0	66.7
	800 x 600	46.9	75.0	Mac 16"	832 x 624	49.7	74.6
	800 x 600	48.1	72.2	Mac 19"	1024 x 768	60.2	74.9
	800 x 600	53.7	85.1	Mac 21"	1152 x 870	68.7	75.1
XGA	1024 x 768	48.4	60.0				
	1024 x 768	56.5	70.1				
	1024 x 768	60.0	75.0				
	1024 x 768	68.7	85.0				

NOTE:
The display resolution of the PT-L757E is 1024 x 768 dots. If the display resolution indicated in the above data does not match this resolution, the input signal will be converted to 1024 x 768 dots.

PS/2, VGA and XGA are trademarks of International Business Machines Corporation. Macintosh is a registered trademark of Apple Computer, Inc. SVGA is a registered trademark of the Video Electronics Standards Association. All other trademarks are the property of the various trademark owners.

Standard setting-up positions



unit: mm

NOTE:

Illustrations show the PT-L759V installed using optional ceiling bracket.

Screen size (diagonal)	L	H
20"	0.8 m	4 cm
40"	1.3 – 1.7 m	9 cm
60"	2.0 – 2.7 m	13 cm
80"	2.7 – 3.6 m	17 cm
100"	3.4 – 4.5 m	22 cm
120"	4.1 – 5.4 m	26 cm
150"	5.2 – 6.7 m	33 cm
200"	6.9 – 9.0 m	44 cm
250"	8.7 – 11.2 m	54 cm
300"	10.4 – 13.5 m	65 cm

The values for L and H may vary slightly depending on the zoom lens characteristics.
The zoom lens characteristics may cause a small degree of distortion in the image when projecting at the shortest distance.